

# DDS353 SINGLE PHASE ONE MODULAR DIN RAIL METER

## GENERAL DESCRIPTION:

It's the smallest DIN-Rail meter in the world, which is popular in West European as its standard installation and DIN EN 50022, small size and high precision.

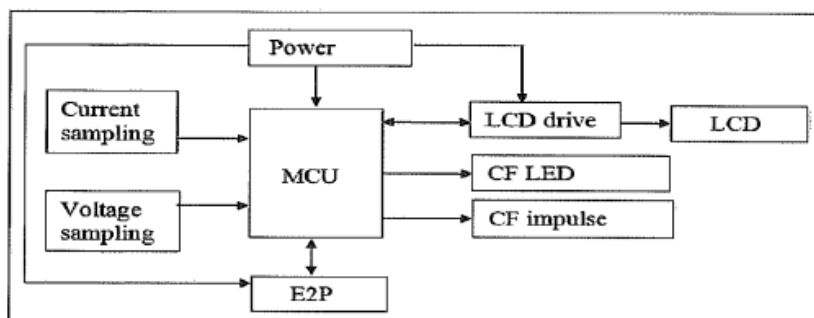


## METER PARAMETER:

- Voltage: 230/240V +/-20%
- Current: 5(32)A, 5(45) A, 5(50) A
- Accuracy class: 1.0
- Standard: IEC62052-11, IEC62053-21
- Frequency: 50Hz
- Impulse constant: 1000imp/kWh
- Display mode: LCD 5+2 = 99999.99kW
- Power consumption:  $\leq 8\text{VA}$ ,  $\leq 0.4\text{Wh}$
- Temperature range:  $-25^{\circ}\text{C} \dots +55^{\circ}\text{C}$ (class3K6)
- Flashing red: Impulse indication, width=90ms
- Degree of protection: IP51
- Mechanical environment: M1
- Electromagnetic environment: E2

## DETAIL FUNCTIONS:

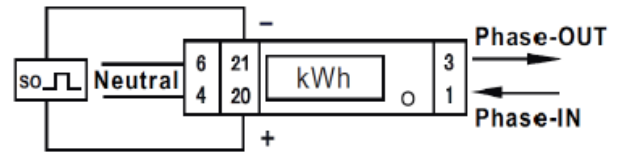
Smallest meter with simple function, only active energy measurement function.



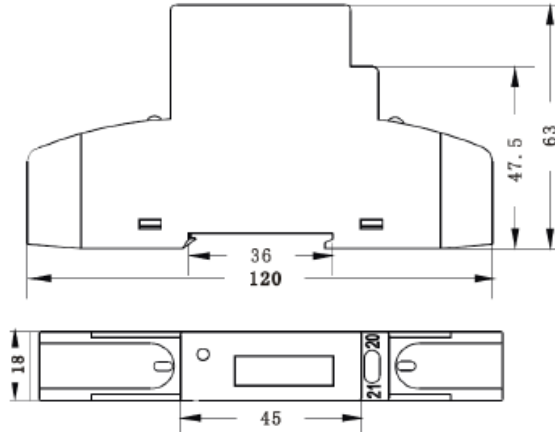
#### LCD DISPLAY :



#### CONNECTION DIAGRAM:



#### OUT DIAGRAM :



#### GENERAL WARNINGS:

- After removing the packaging make sure the integrity of the unit. If in doubt don't use the equipment and contact technical staff.
- Mounting of electric appliances must be carried out only by skilled electricians. It is imperative to observe the generally applicable safety measures.
- In case of failure and/or malfunctioning of the device, turn it off and contact our technical staff.

#### WARRANTY:

- 18 months from date of delivery and on the condition that the users abide by the specifications and installation procedures and the sealing is kept completely intact. Meters with manufacturing or component defects shall be repaired or replaced free of charge.

**E. S. L. (UK) Ltd**  
**37 Palestine Grove,**  
**Wimbledon,**  
**London,**  
**SW19 2QN**  
**TEL:02086468111**  
**Email:eslukltd@btconnect.com**